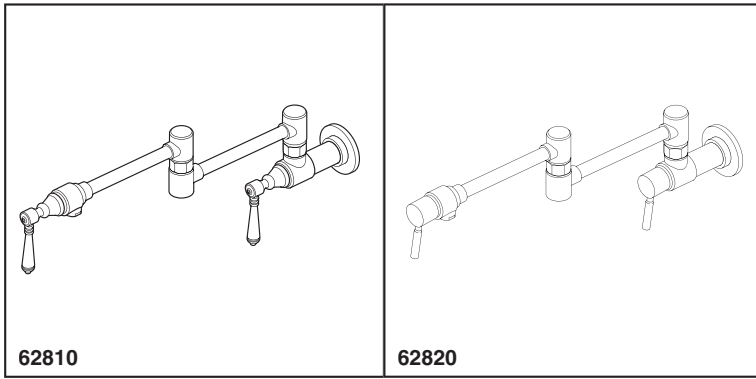


BRIZO®

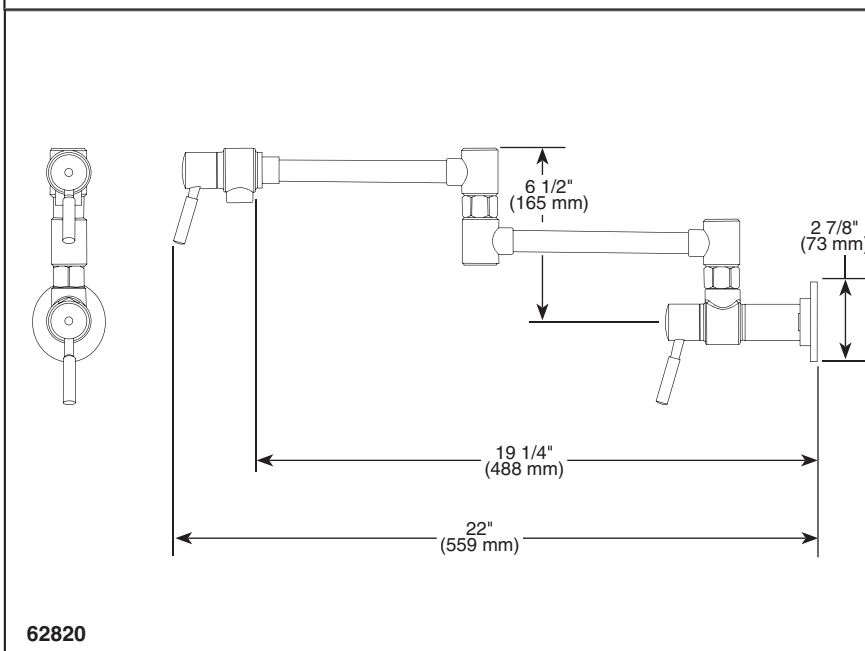
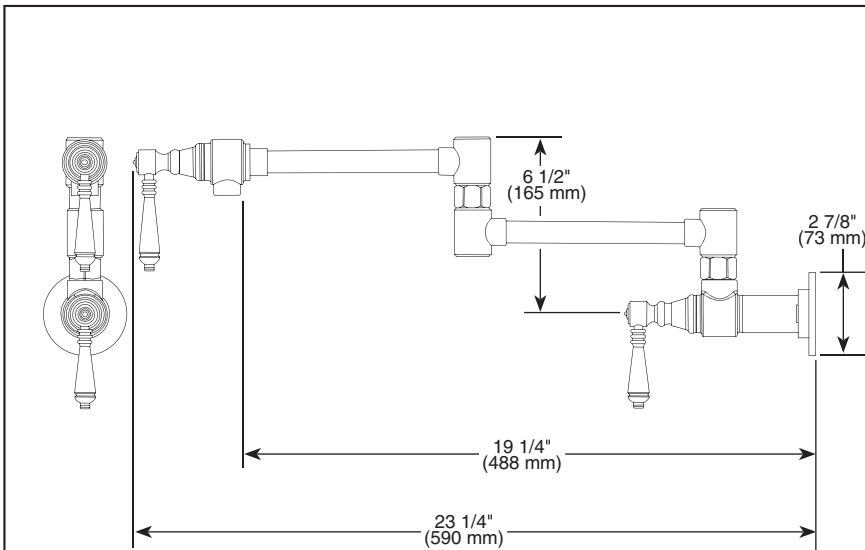
WALL MOUNT POT FILLER

- Wall Mounted Pot Filler
- Single Hole Application
- Cold Water Only
- Volume Controlled With Handles



Submitted Model No.: _____

Specific Features: _____



STANDARD SPECIFICATIONS:

- Two handle faucet for wall mount single hole wall applications.
- 20" dual jointed swing spout.
- Control mechanism shall be of the rotating ceramic cylinder type with 90° (1/4 turn) rotation.
- 1" recommended hole size.
- Rough into 1/2" stub out.
- 1/2" I.P.S. inlets.
- Cold water connection only.
- Washerless ceramic valving.



COMPLIES WITH:

- ASME A112.18.1 / CSA B125.1
- ICC/ANSI A117.1/ADA

Delta Faucet Company
Indianapolis, Indiana 46280
A Division of Masco Corporation of Indiana
© 2007 Masco Corporation of Indiana